

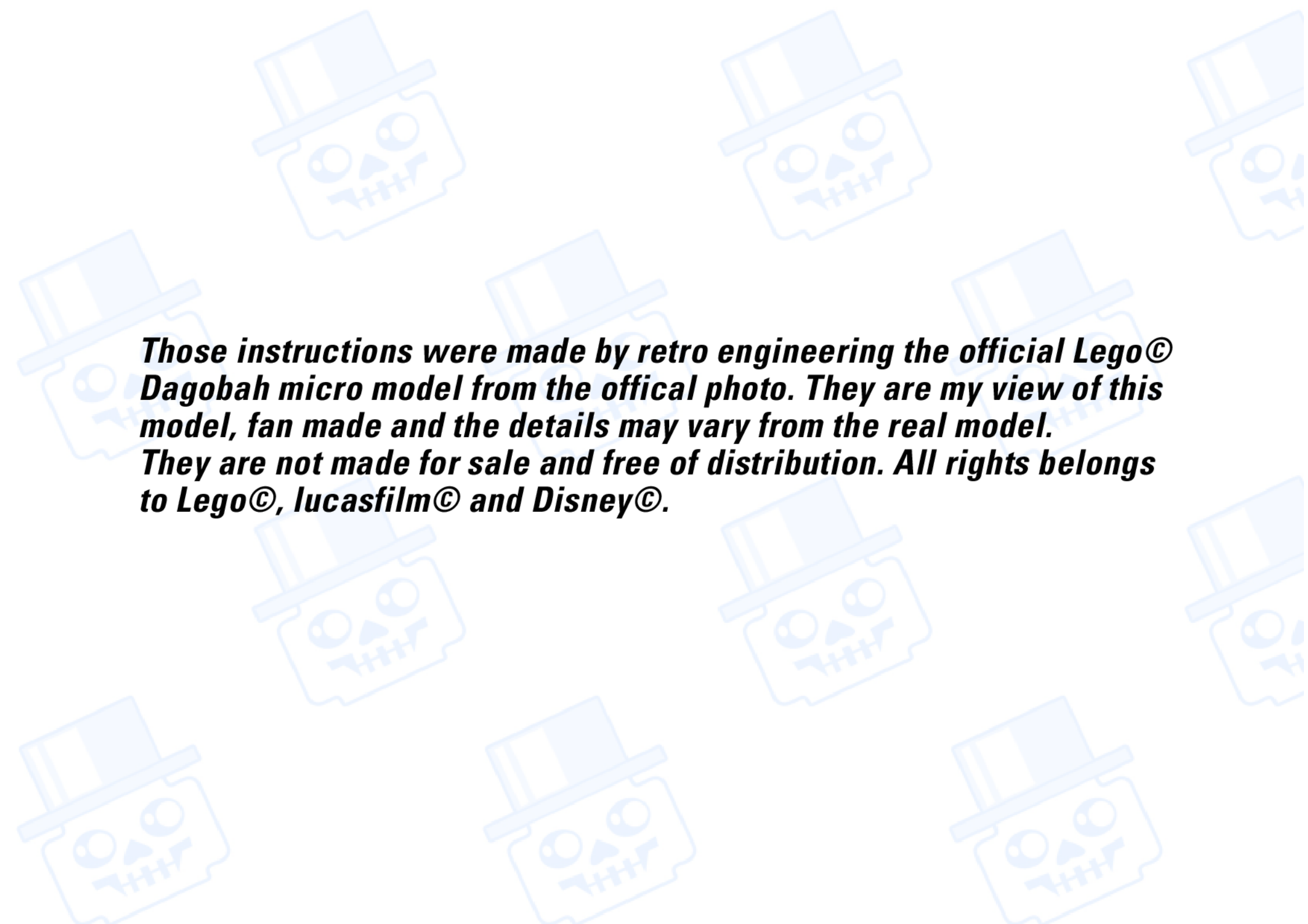


# RETRO ENGINEERED DAGOBAH MODEL FROM SDCC 2015

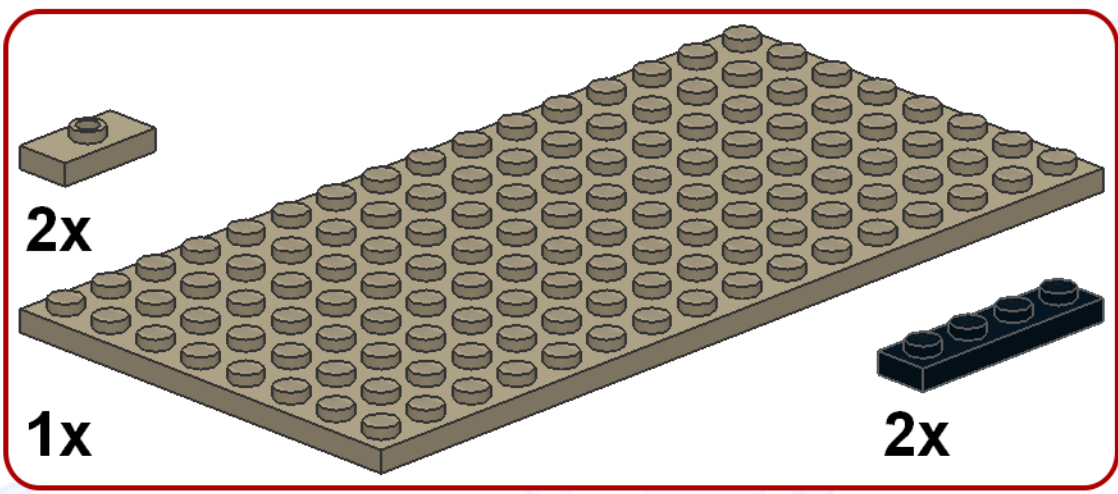
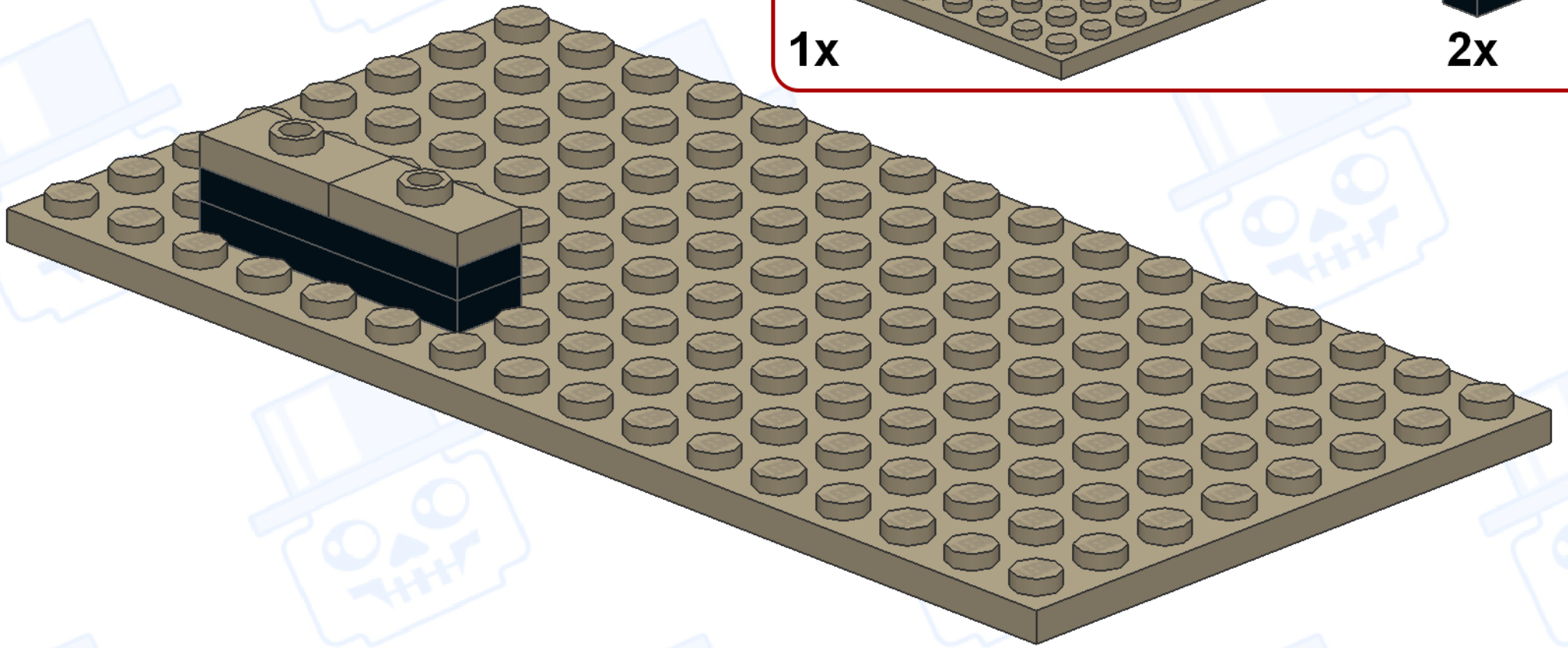


**BUILDING INSTRUCTIONS  
INSTRUCTIONS DE MONTAGE**

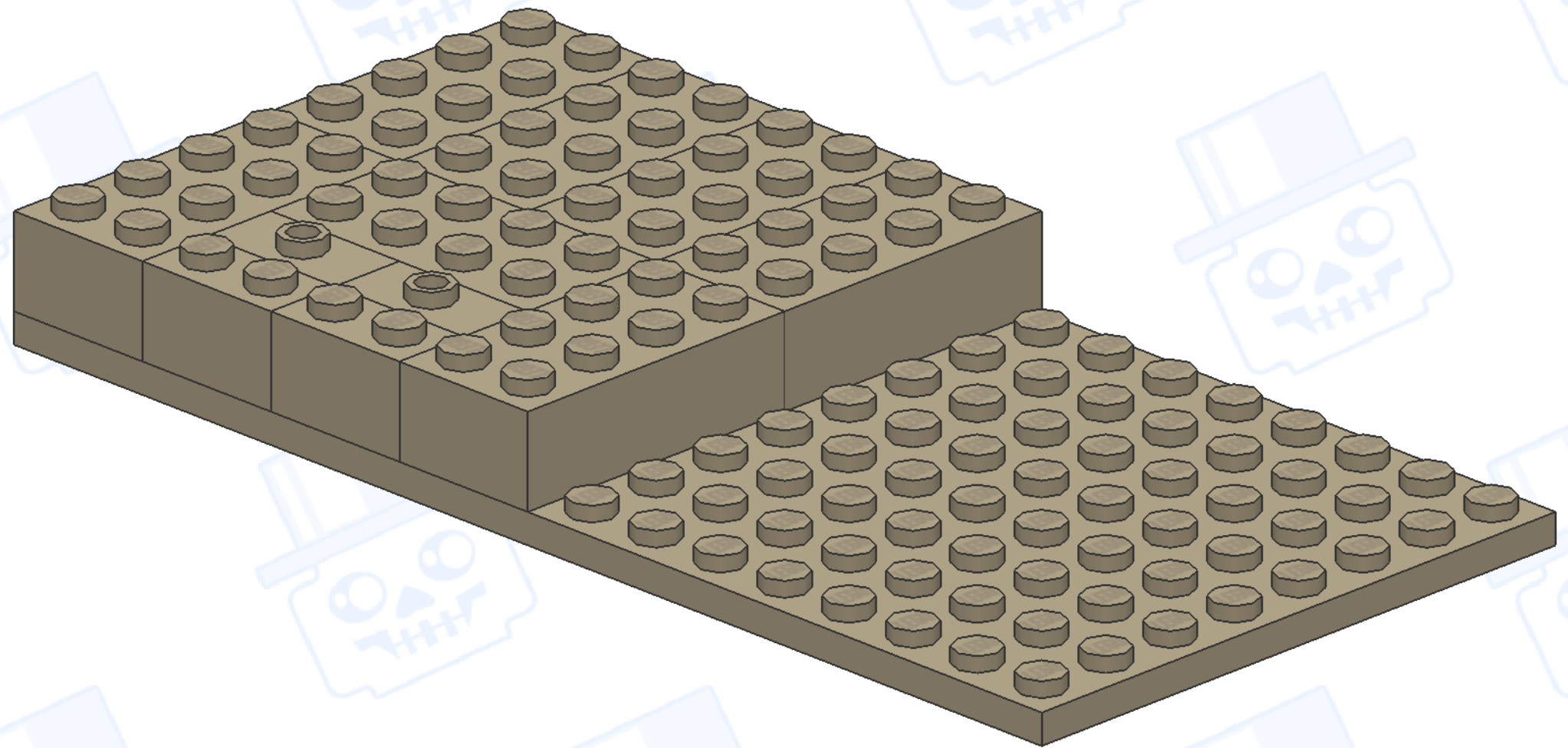
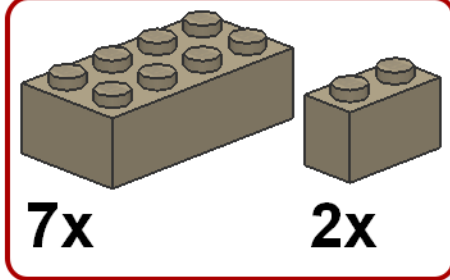
**[www.baronsat.net](http://www.baronsat.net)**

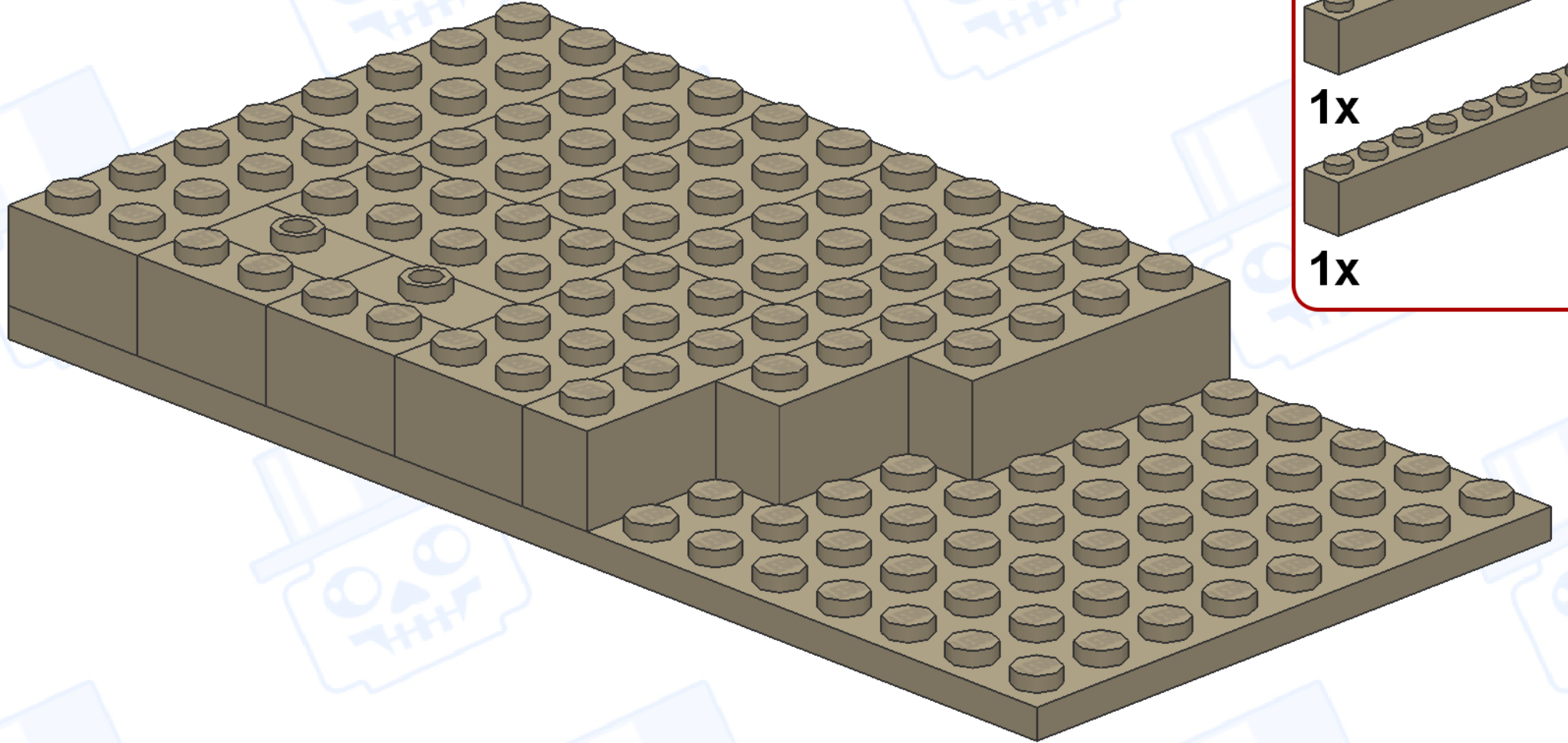


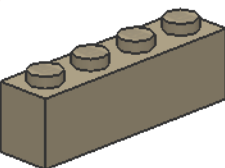
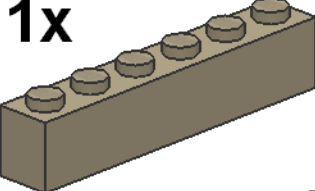
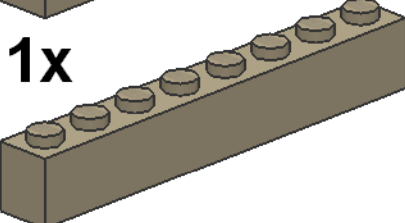
***Those instructions were made by retro engineering the official Lego® Dagobah micro model from the official photo. They are my view of this model, fan made and the details may vary from the real model. They are not made for sale and free of distribution. All rights belongs to Lego®, Lucasfilm® and Disney®.***

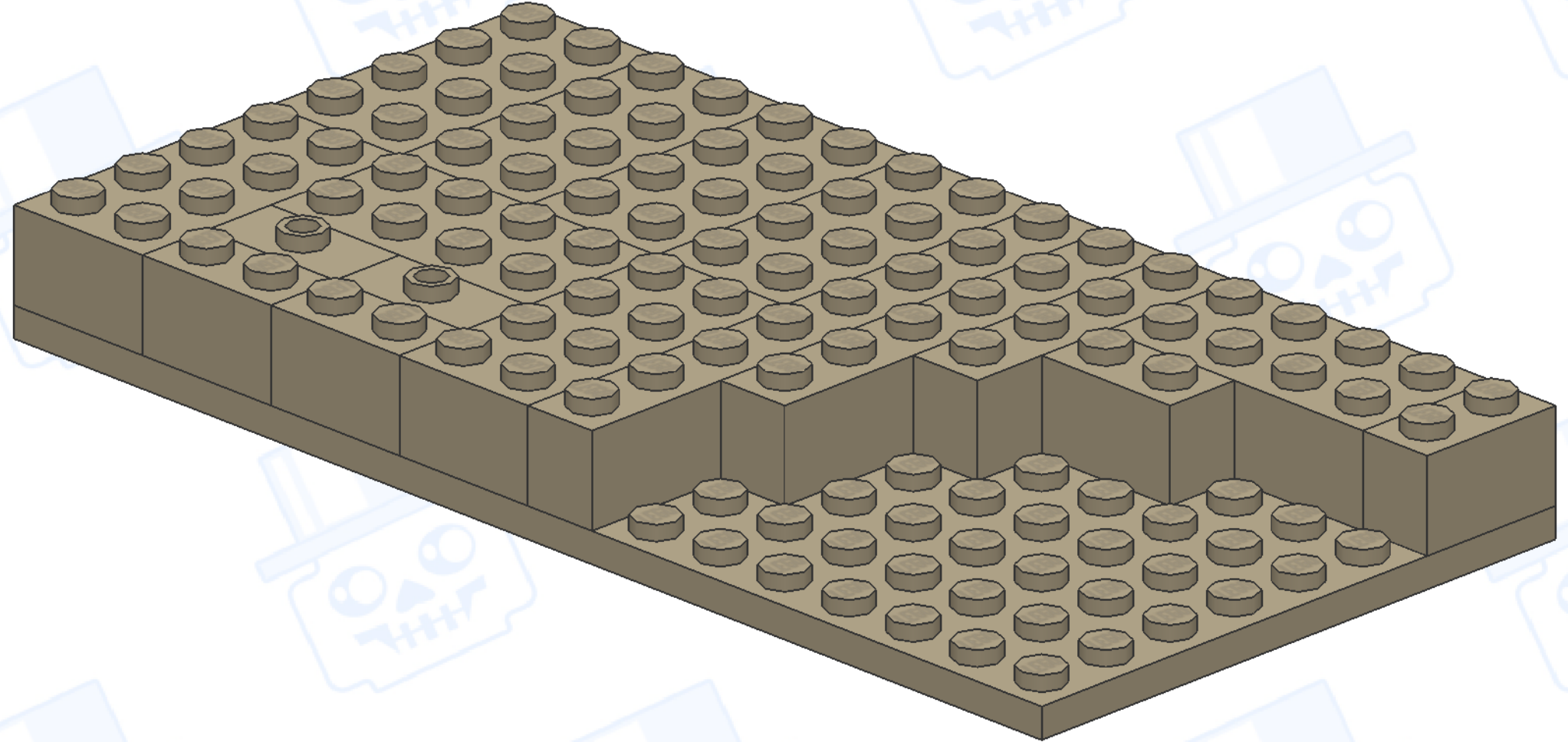
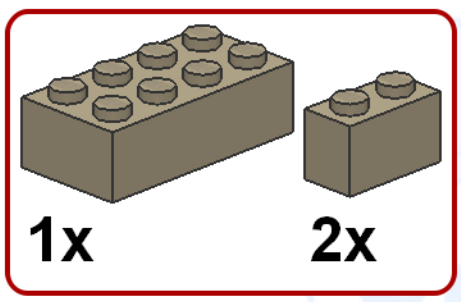








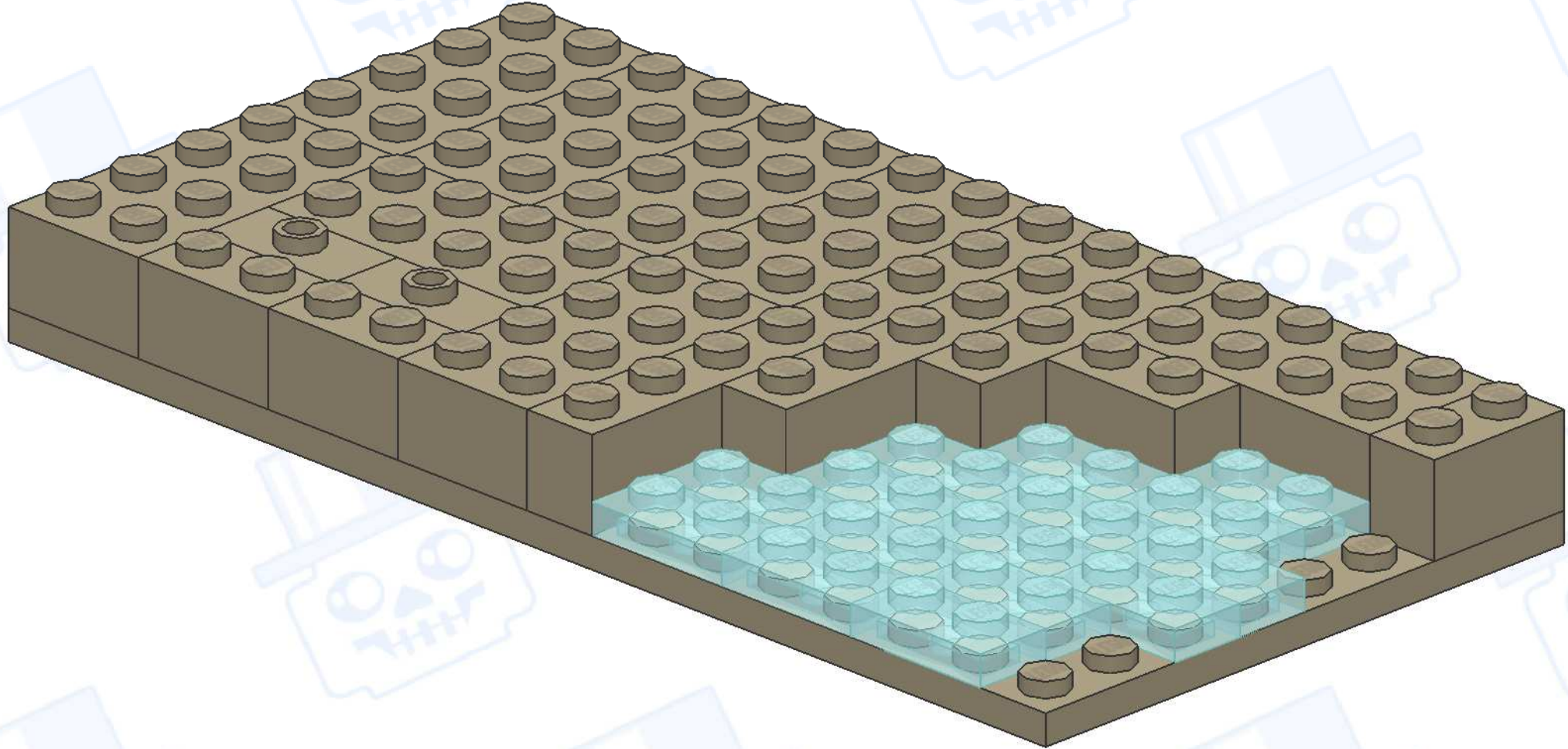
-   
**1x**
-   
**1x**
-   
**1x**

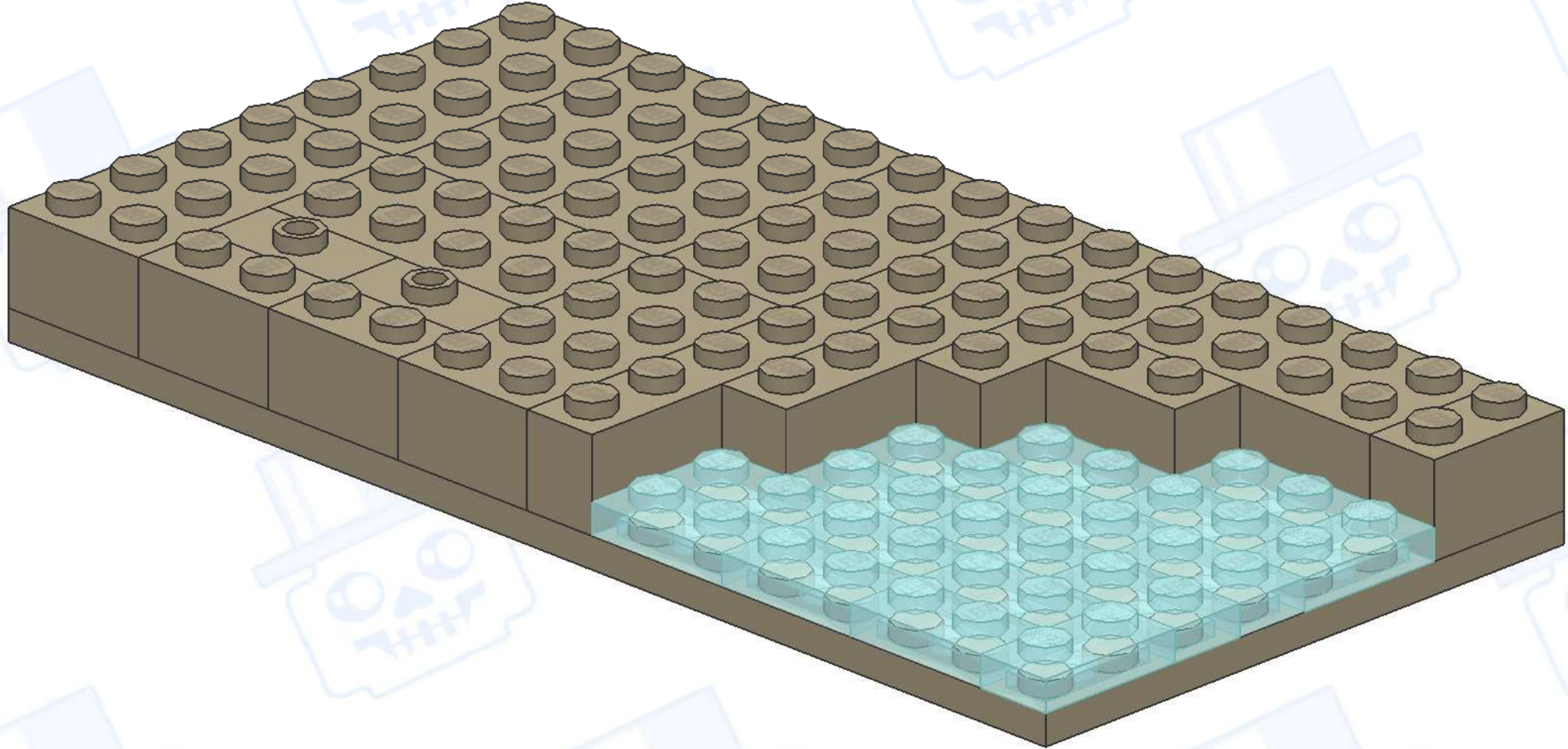
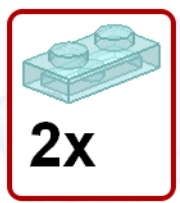






**15x**

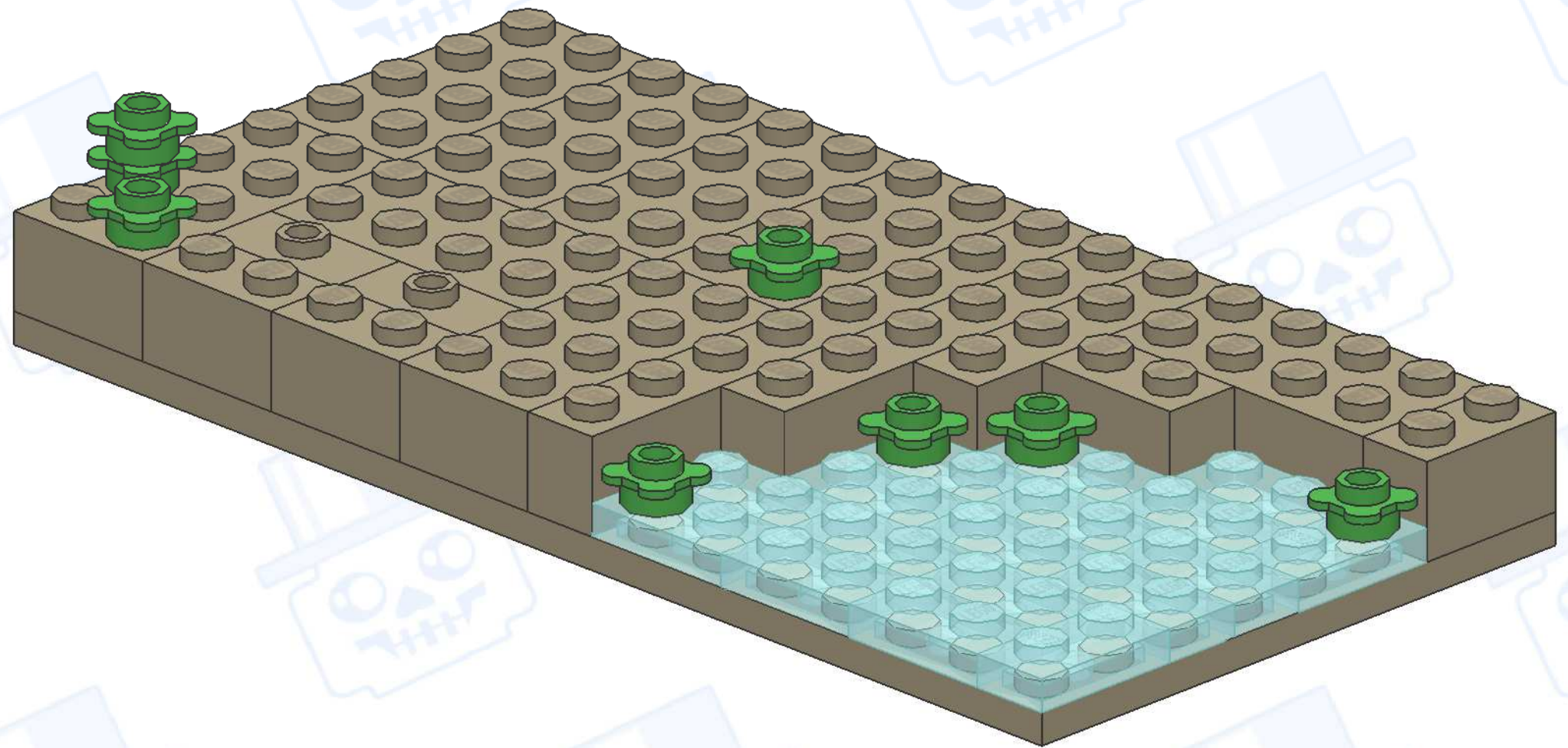








8x

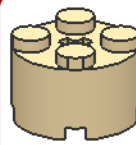
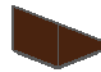
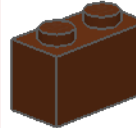



2x 1x 3x





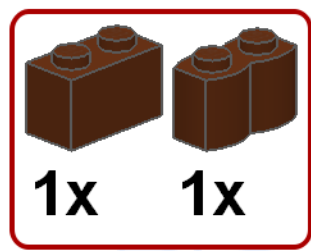


- |   |   |
|---|---|
|   |  |
| 1x  | 1x  |
|  |  |
| 1x  | 1x  |

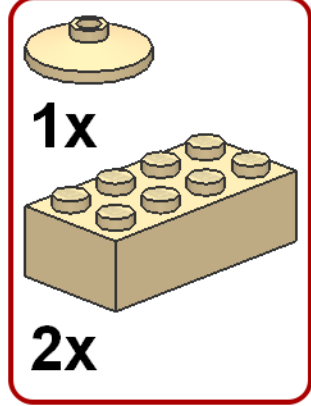


1x



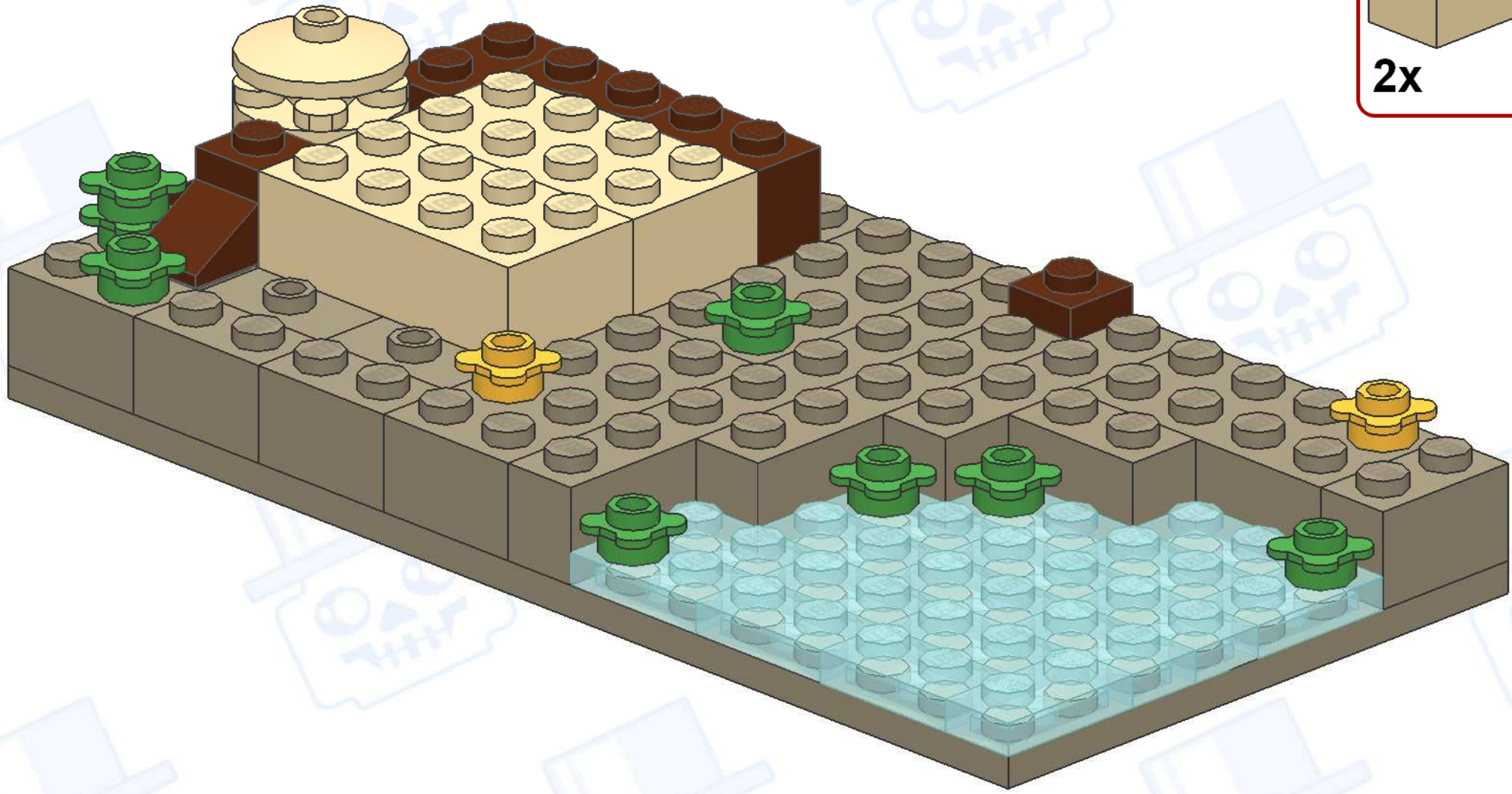




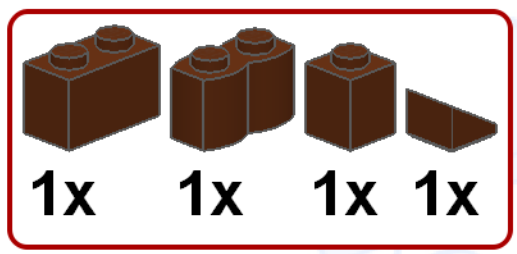


1x  
2x

This inset box shows the parts required for step 12. It contains one yellow 1x1 Technic plate and two tan 1x4 Technic bricks with holes. The text '1x' and '2x' is placed next to the respective parts.

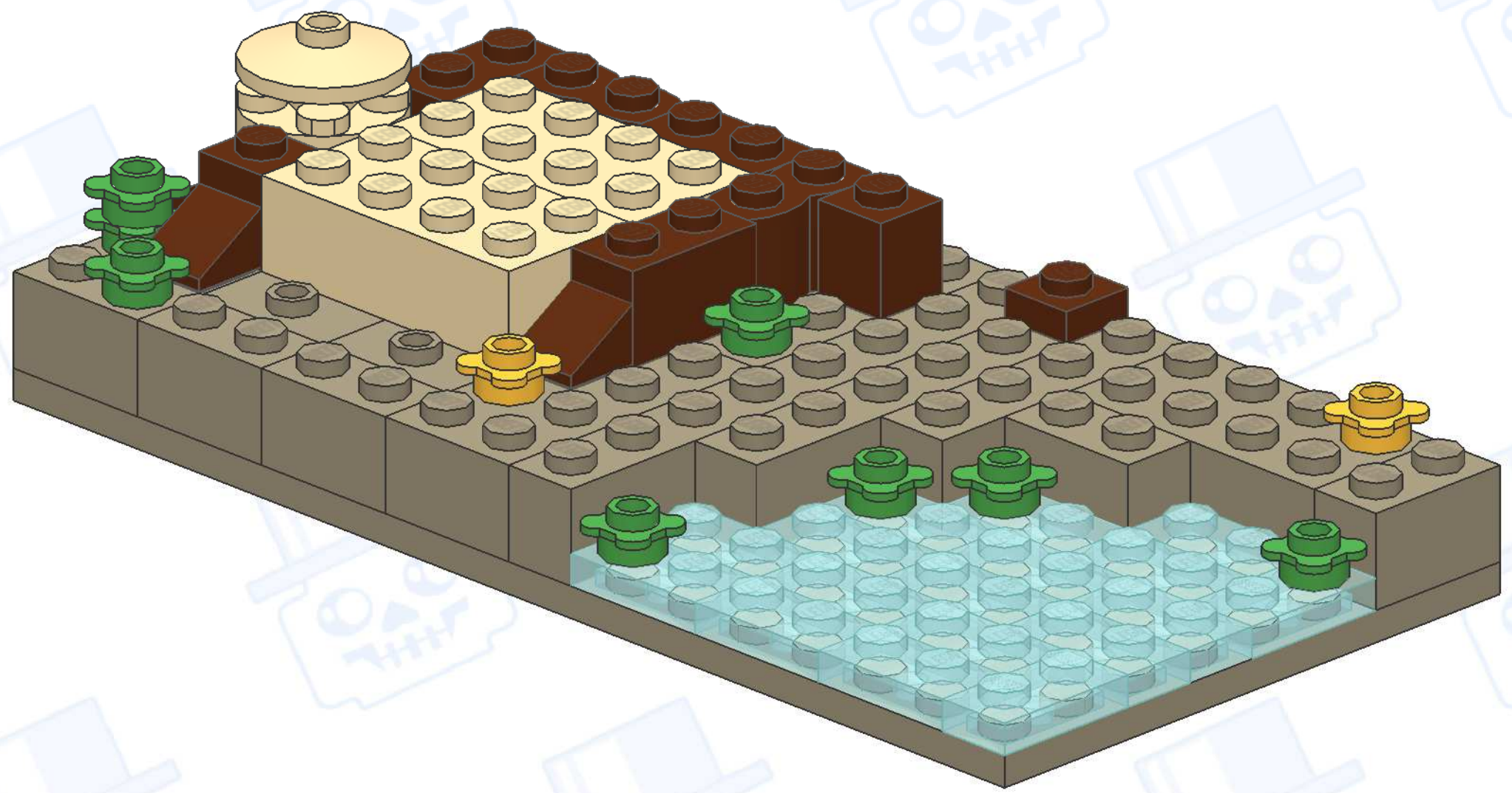




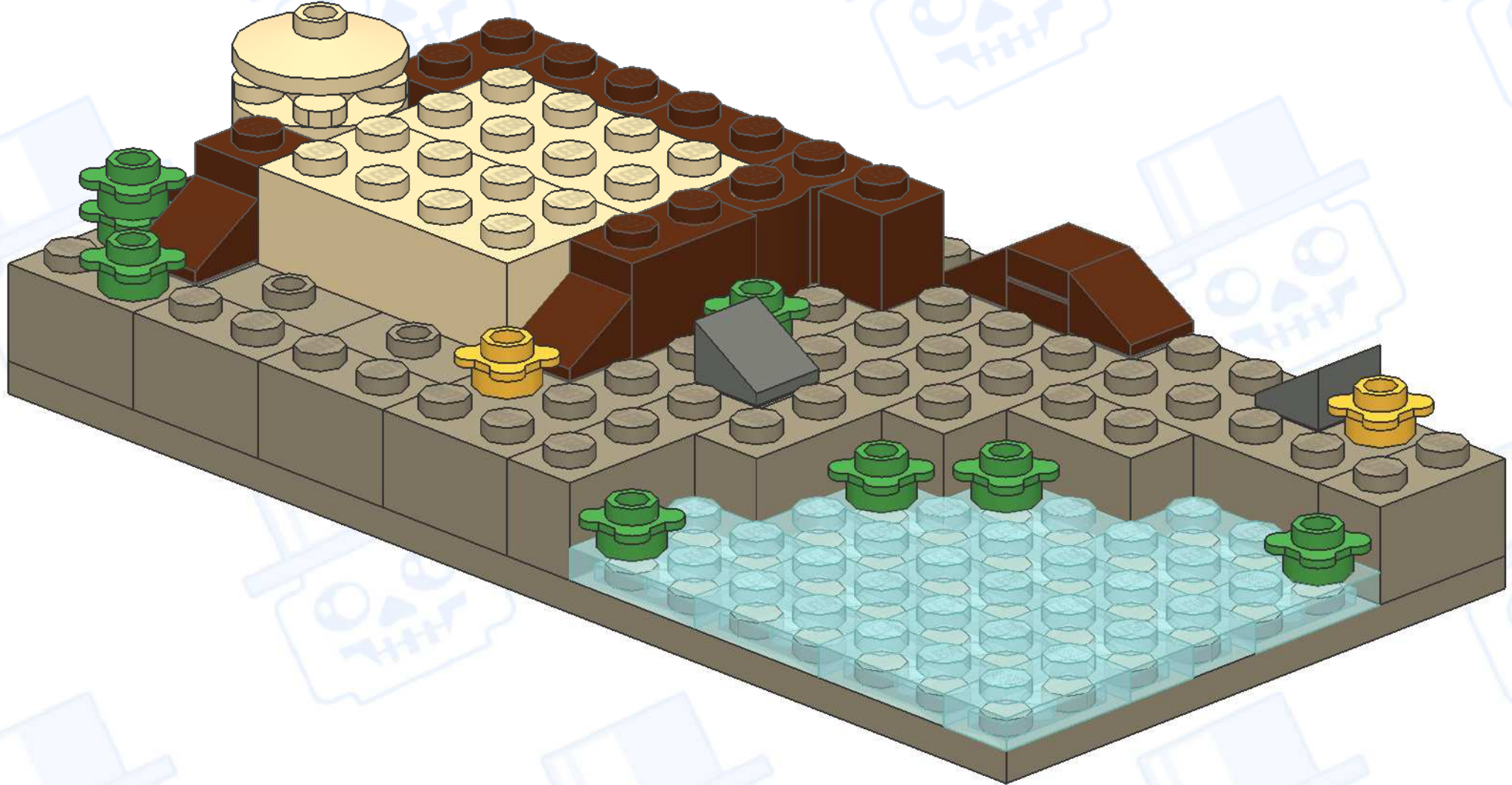


1x 1x 1x 1x

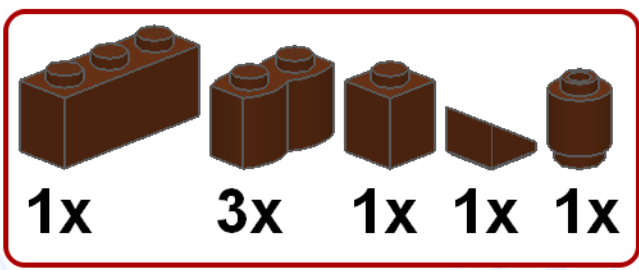
This inset box shows four dark brown LEGO Technic parts: a 1x3 brick with a hole, a 1x2 brick with a hole, a 1x2 brick with a hole, and a 1x1 wedge. Each part is accompanied by the quantity '1x'.



2x 2x 1x





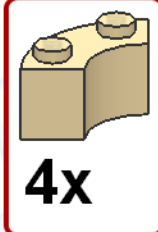


1x 3x 1x 1x 1x

This block contains a parts list for step 15. It features five items: a 1x3 dark brown brick, three 1x2 dark brown bricks, one 1x1 dark brown brick, one 1x1 dark brown wedge, and one 1x1 dark brown pin. Each item is accompanied by its quantity: '1x', '3x', '1x', '1x', and '1x' respectively.



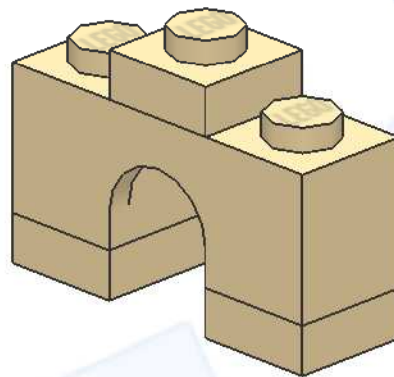




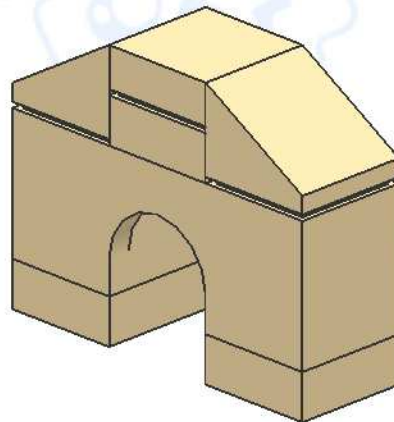
1  
2x



2  
1x  
1x



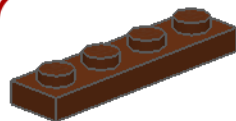
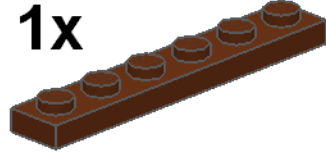
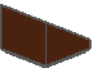
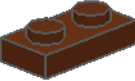
3  
1x  
2x

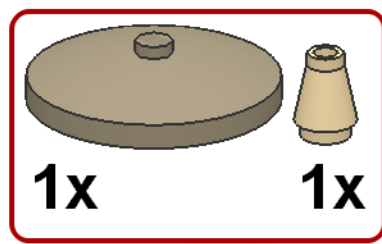





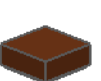






- 1x 
- 1x 
- 1x 
- 1x 





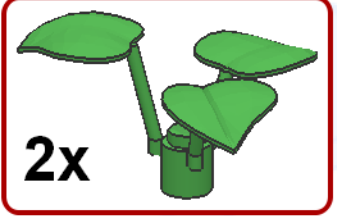
- |   |   |
|---|---|
|   |   |
| 1x  | 1x  |
|  |  |
| 1x  | 2x  |

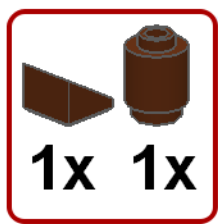




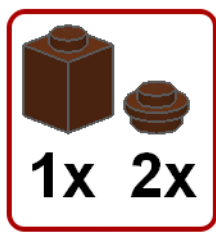
1x	1x	2x
1x	1x	1x







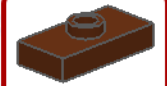




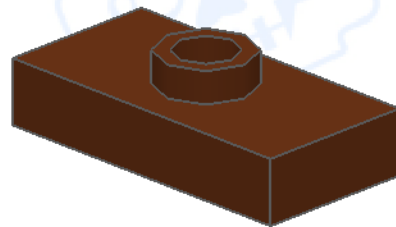
1x 2x



1



1x



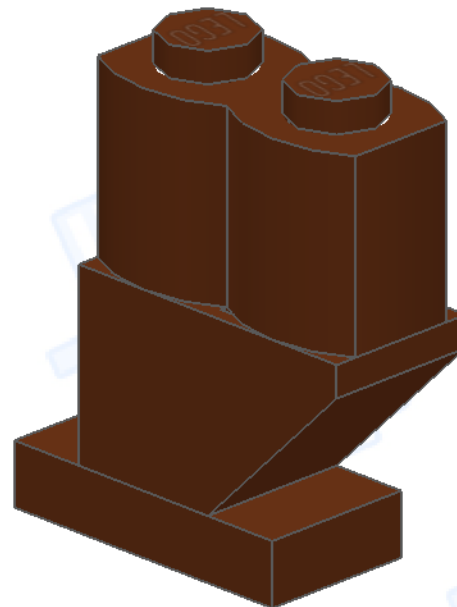
2



1x



1x



x2

**26**

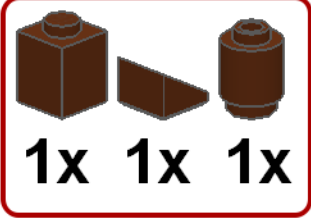




1x 1x 1x





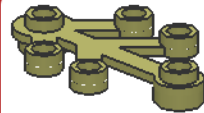
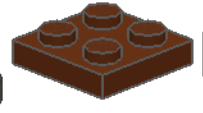
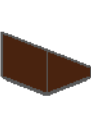


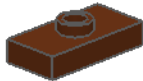

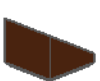
1x      2x      2x







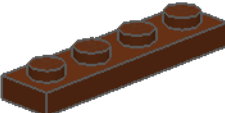

		
<b>2x</b>	<b>1x</b>	<b>1x</b>

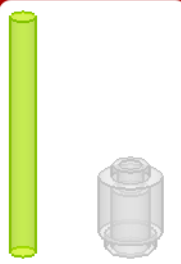
- 2x 
- 1x 
- 1x 



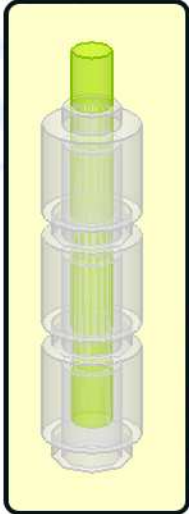




	
<b>1x</b>	<b>1x</b>

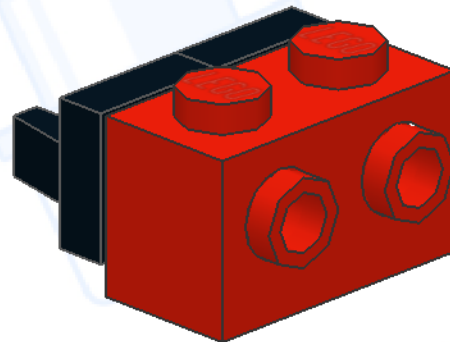
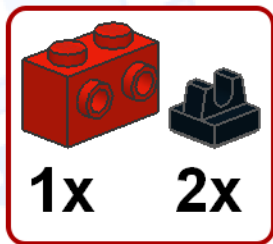


1x 3x

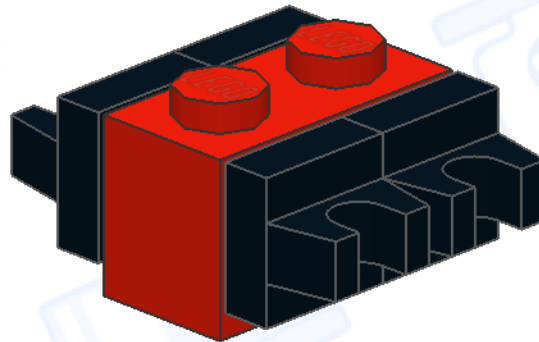




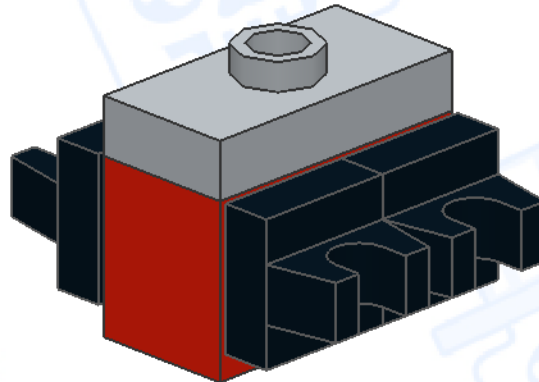
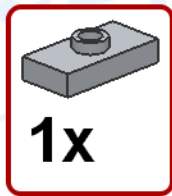
1

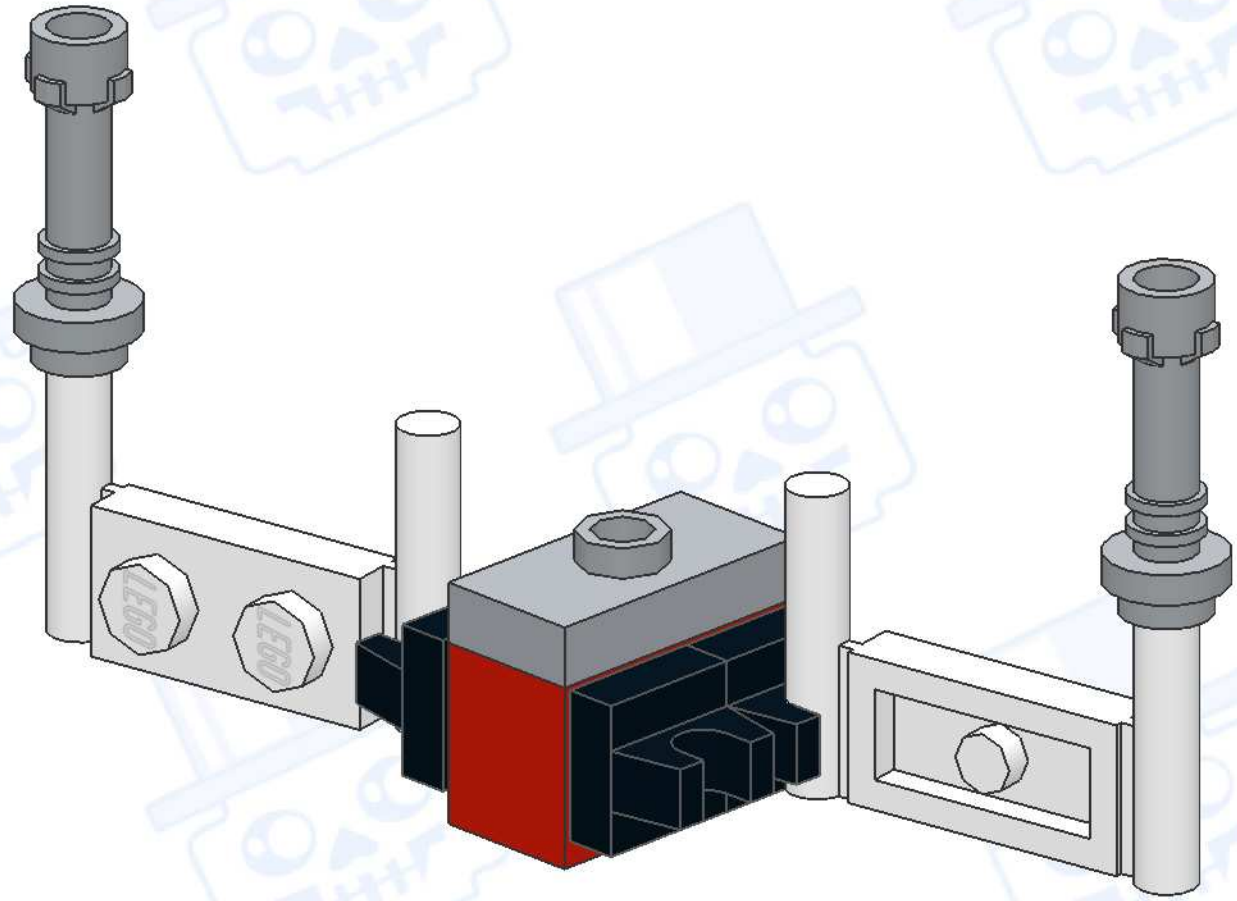
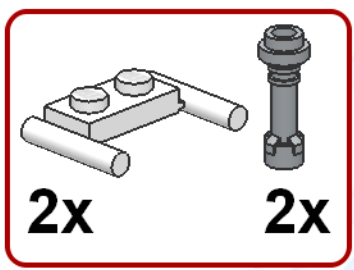
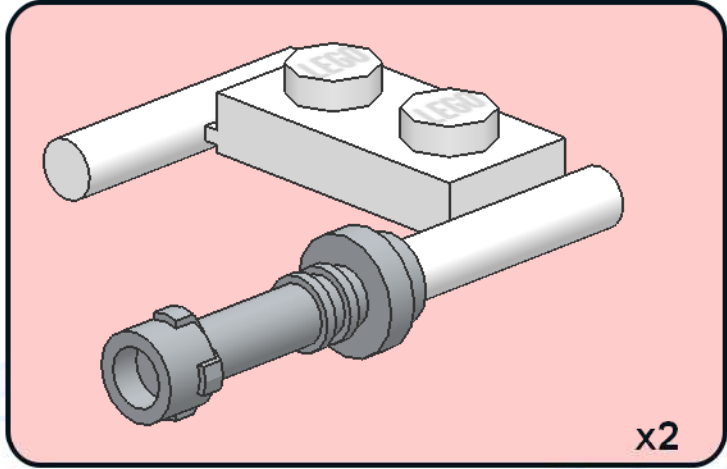


2

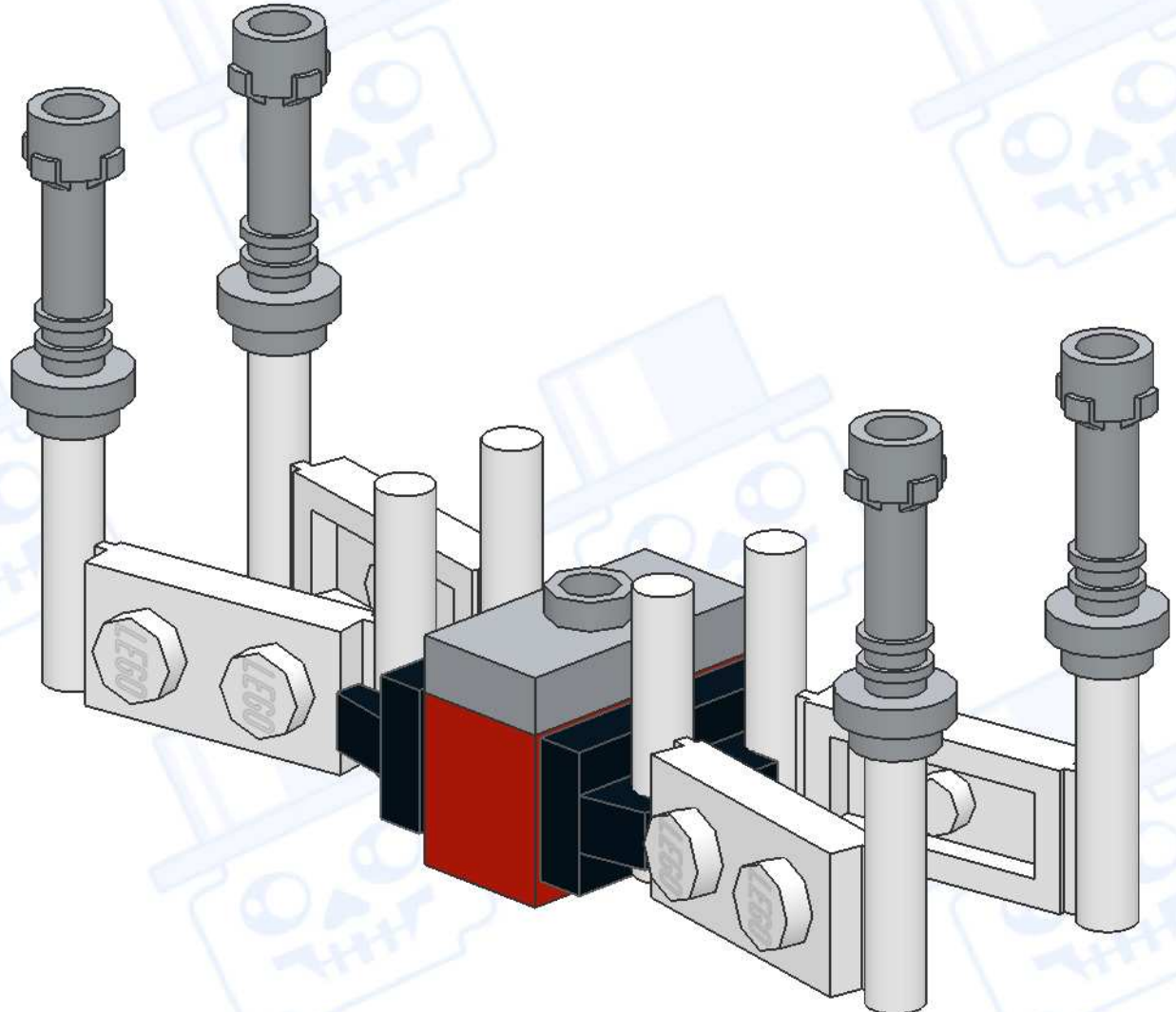
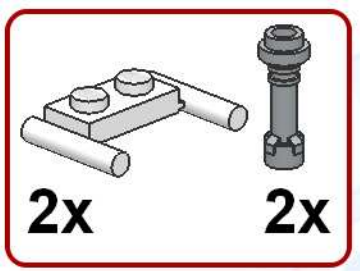
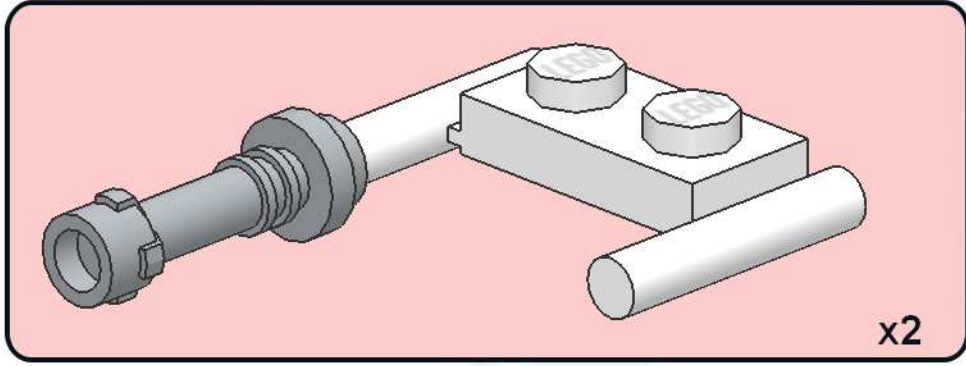


3

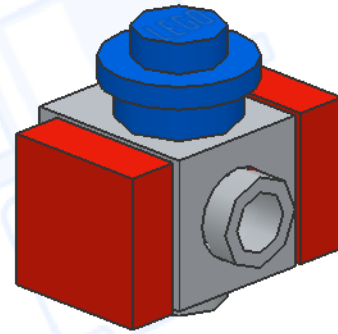
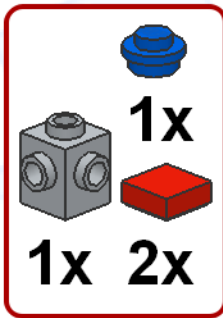




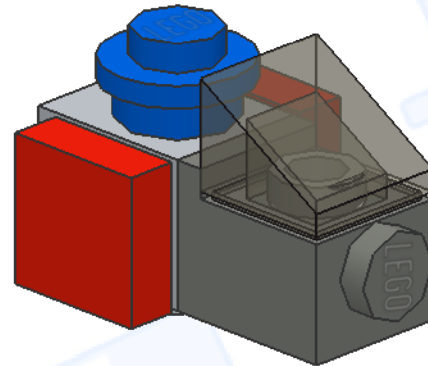




1



2



3

